

Afripipes

South Africa • Kenya • Middle East

Afripipes Telecommunication Boundary Box



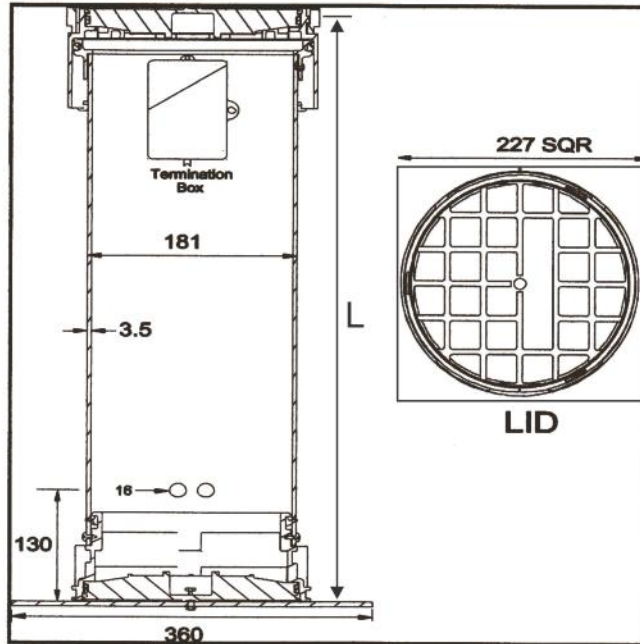
Application: Afripipes boundary boxes are commonly used in FTTX applications to connect houses to fibre networks. Typically the boxes are installed on sidewalks outside the property; connections are done using the micro ducts. Termination boxes are usually pre-installed inside the boundary box.

Characteristics: Afripipes boundary boxes are light weight and easy to install. The lid is strong enough to withstand loads of up to 1000kg. Each unit is fitted with stay guard feet which prevents the boxes from lifting out of the ground after installation. Lifting normally occurs from water or incorrect installation. Boundary Box is designed to be water tight and can be used in dolomite areas.

Accessories: The compression glands have an IP 65(Ingress Protection) rating and the stay guard feet are electroplated for rust protection. The lid has a rubber seal and once closed it becomes tamper proof and water tight.

Technical Data

Afripipes Telecommunication Boundary Box



Characteristic	
Colour lid	Black
Tube	Beige
End Stop	Black
Material lid	20% Glass filled Polypropylene
Material end cap	HDPE/20% Glass filled Polypropylene

Box Properties	
Outer Diameter	188mm
Internal Diameter	181mm
Wall Thickness	3.5mm
Length (L)	600mm/450mm/350mm
Lid Load	As per BS5834 specification with load 1000kg
Empty box weight	4kg

Description	Photo
FTTH-008 4 Way termination Box IP65 Connectors 1. LC/APC Duplex connector 2. SC/APC Simplex connector	
0.9mm x 1m Pigtail Fibre G657 Connectors 1. LC/APC Simplex 2. LC/APC Duplex 3. SC/APC Simplex	
8/5mm straight connector (Or as per customer requirement)	
8/5mm dust end cap (Or as per customer requirement)	
Breakout enclosures with resin kit 1. 12 Way/ 2 Way 2. 12 Way/ 4 Way	